

IM300 RC / IM350 RC

IMAX

SEARCHLIGHTS



IMAX Searchlights:

- **STAINLESS STEEL CONSTRUCTION**
- **SUPERB OPTICS**
- **POWERFUL LONGRANGE BEAM**
- **ELECTRICAL REMOTE CONTROL**
- **LOW MAINTENANCE**
- **DURABILITY**

The design of IMAX Searchlights is based on many years of experience and extensive research in the field of professional Marine lighting.

Carefully selected materials are used to ensure maximum performance, low maintenance and a long troublefree life.

The perfect combination of mirror/reflector and lightsource is determined through advanced computer models.

Instead of aluminium reflectors, often used in conventional searchlights, IMAX uses silvered glass mirror/reflectors made of top quality colourless glass to achieve the maximum reflectivity of 92%!! The optical mirror maintains its brilliance during many years.

IMAX searchlights are fitted with a clever ring filter that prevents glare and stray light. The hardened front glass and the parabolic mirror/reflector are both heat resistant.

The pan/tilt unit and the searchlight are made in Stainless Steel, protected extra by a heavy layer of epoxy powder coating to withstand the environmental conditions at sea. The unit is sealed to IP 66.

The controlpanel with the 8-position joystick, made for flush fitting in the bridge control desk, are optional available.

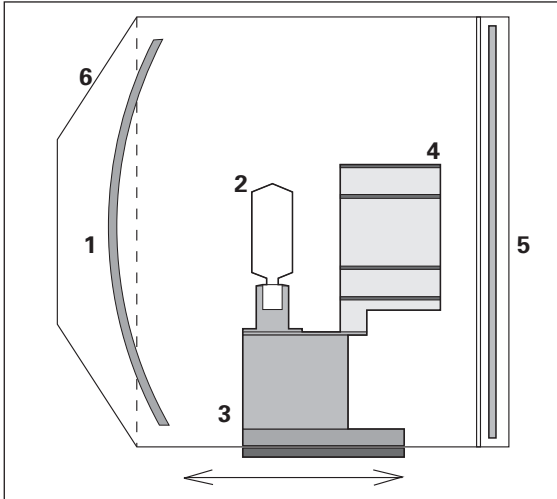
IMAX LIGHTENS YOUR WORK.



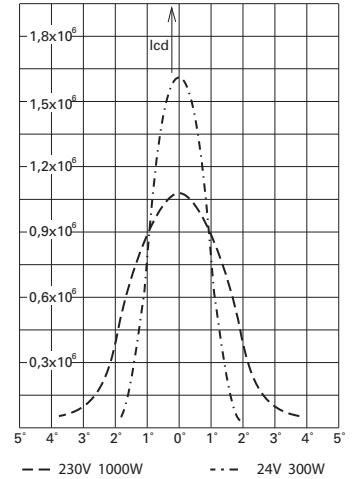
CROSS SECTION

IM300 RC - IM350 RC

IMAX SEARCHLIGHTS

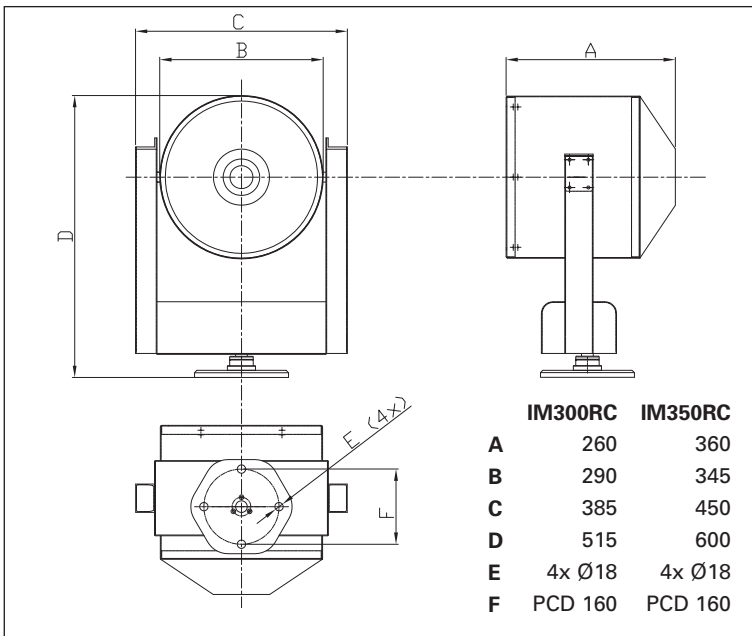


- 1 Large diameter parabolic reflector, tuned to its associated lightsource. Mirror is heat resistant.
- 2 Lightsource selected on maximum luminous flux.
- 3 Adjustable focus.
- 4 Ringfilter preventing glare and straylight.
- 5 Toughened frontglass.
- 6 Stainless steel housing and components.



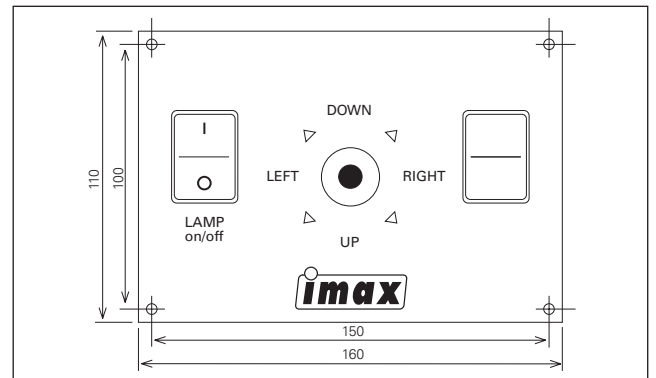
DIMENSIONS

all dimensions in mm.



MOTOR UNIT SPECIFICATIONS

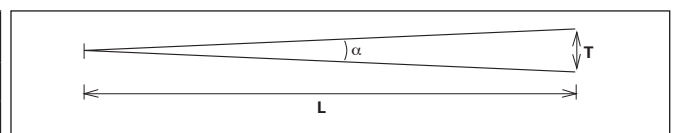
- Pan movement:** 360°
Tilt movement: +45° to -45°
Pan speed: 12°/sec
Tilt speed: 3°/sec
Operating temp.: -30° C to +70° C
Standard: Thermocontrolled heater



SPECIFICATIONS

Model	Voltage	Watts	PBCP (measured) Candela x 1000	Range in meters (L)	Divergence (α)	Illuminated Area at target/1 lux (T)
IM300 RC	24Vdc	300	1.426	1.194	4°	Ø 90 m
IM350 RC	24Vdc	300	1.424	1.424	6°	Ø 100 m
	230V	1000	1.088	1.043	6°	Ø 110 m

Model	Weight
IM300 RC	19 kgs
IM350 RC	22 kgs



your supplier:



www.imaxtrading.com