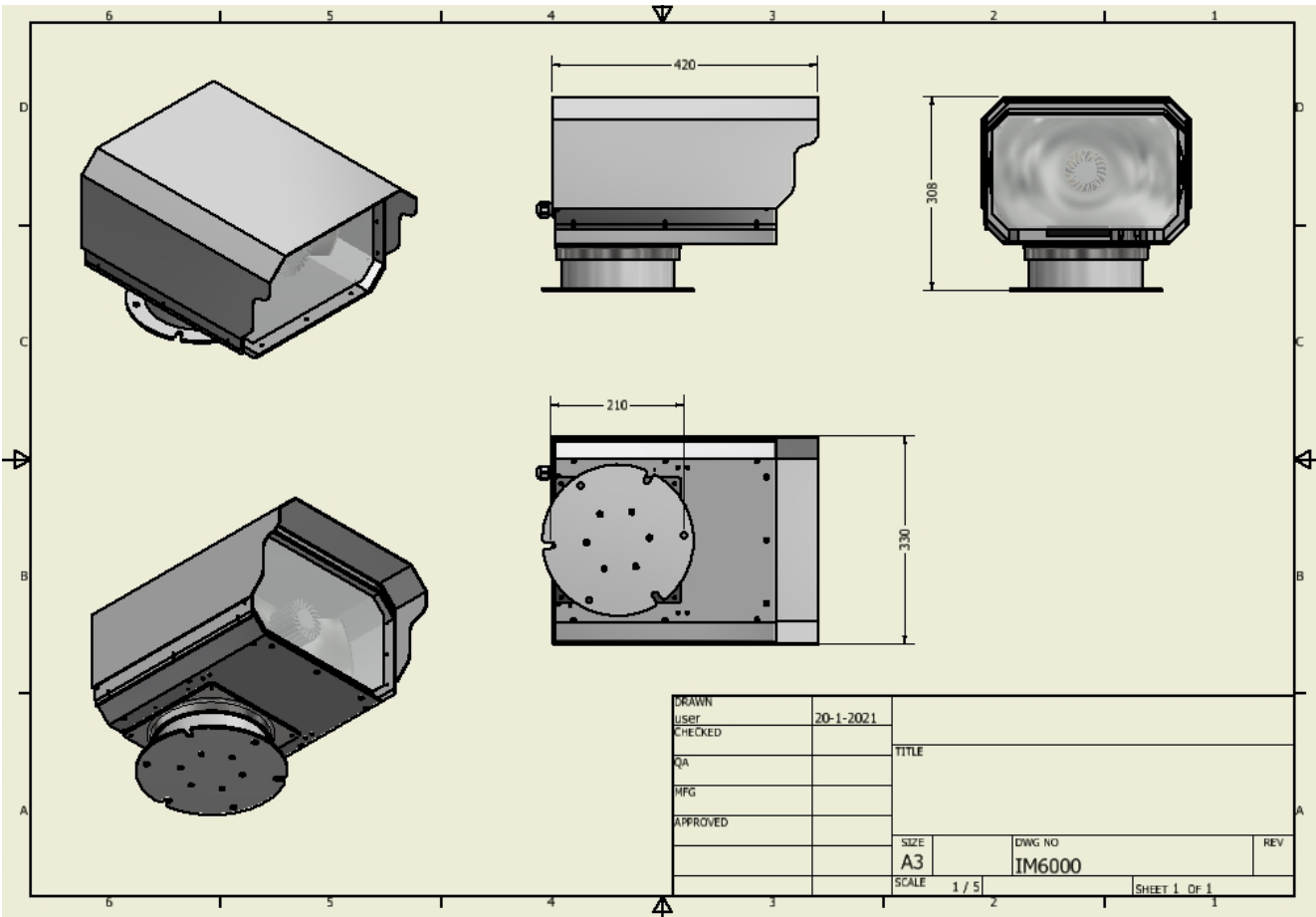


# Searchlight IM6000 LED

The IM6000 LED 150W LED is designed as a searchlight for luxury vessels and patrol boats.

## Technical Information

- Stainless steel hood and foot
- Anodized Aluminum interior for distributing the heat
- hardened glass
- Long lasting Led life up to 50000 hour
- Thermostatic controlled heater
- IP 66



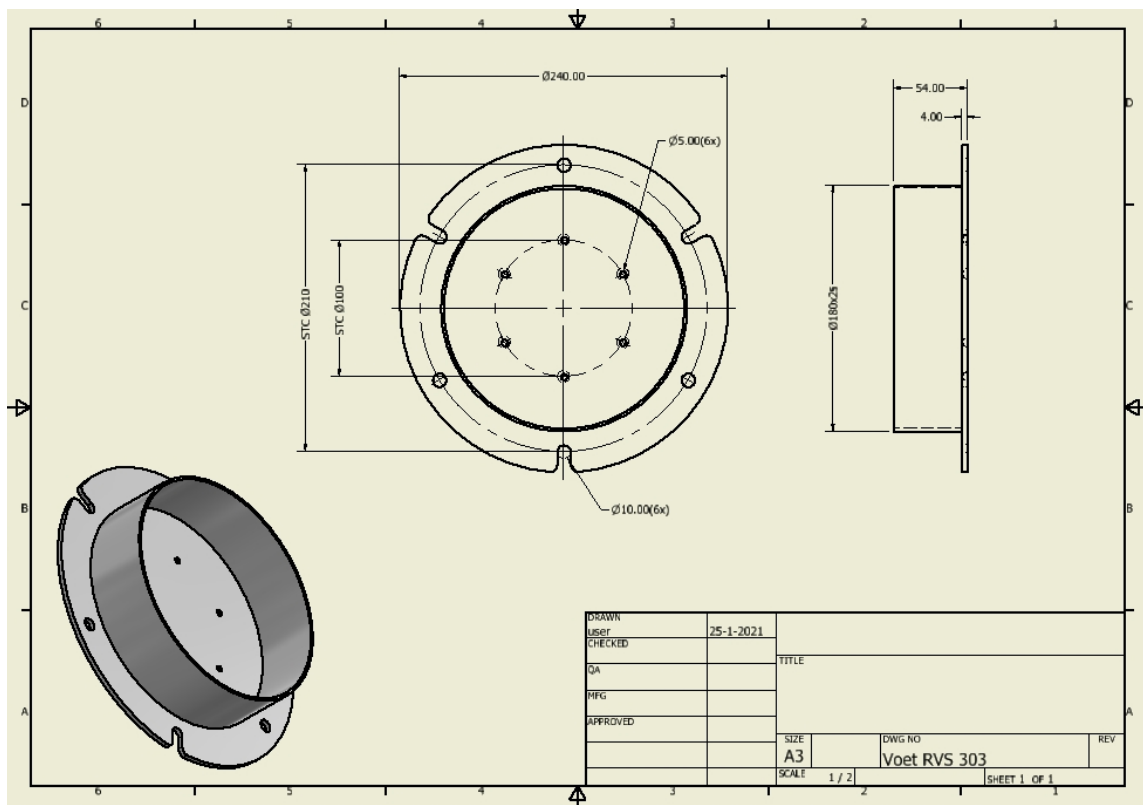
## General Dimensions

LxBxH= 420mmx330mmx308mm

Weight 17.5Kg

## Performance

- rotation 360 deg
- tilt movement 15 deg up and 20 deg down
- range 1100 meter 1 lux
- divergence -7 deg
- 40°C < Operational temperature <50 °C
- voltage supply 230V



## Base connection

- stc 210mm 6x M8